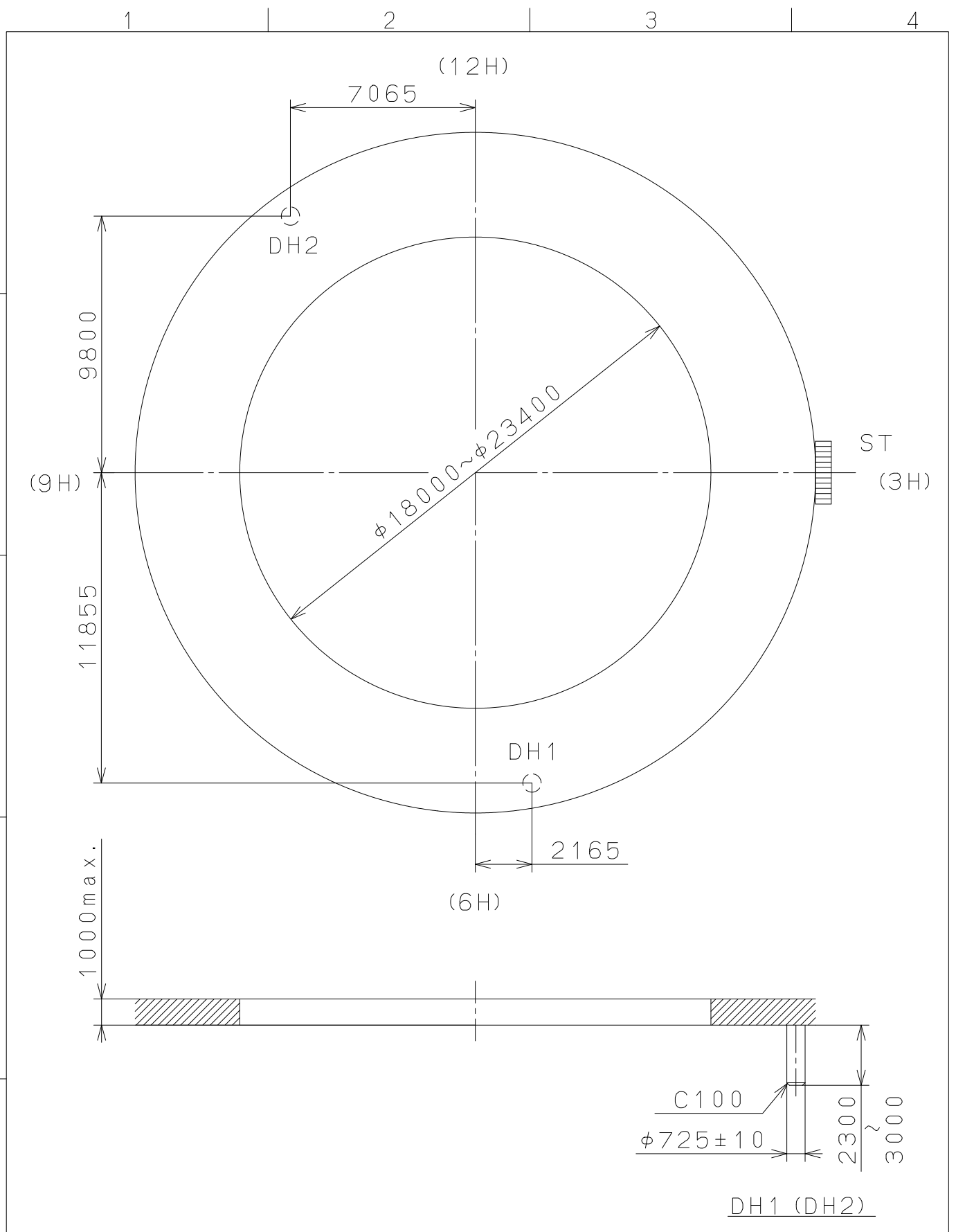


2009/10/22 (09:27:04)

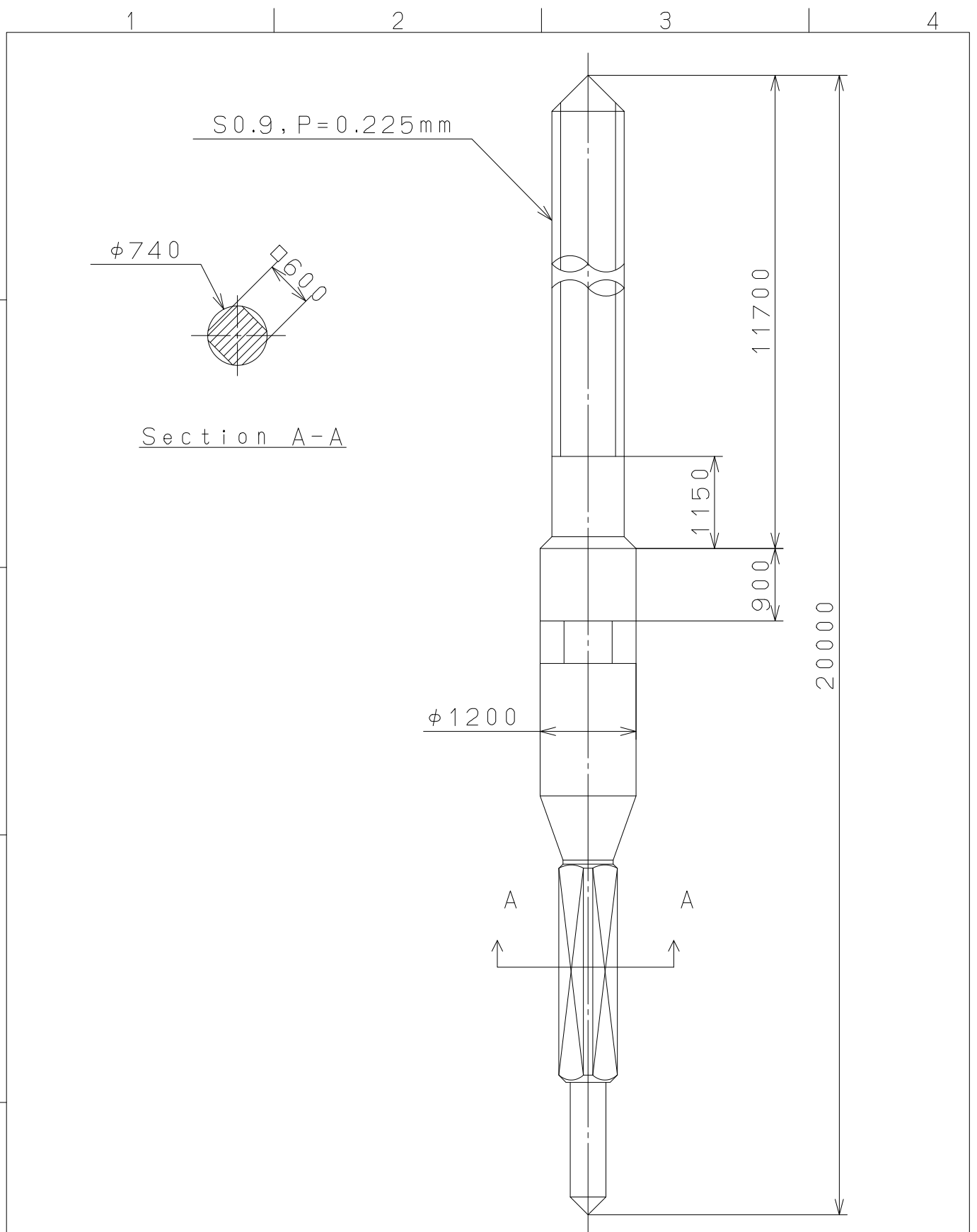
This drawing is provisional and subject to our reconfirmation and/or revision without notice.



| | | | | | |
|----------------|------|-------------|----------|--------------------|--------------------------------------|
| △ | | | Quantity | | Cal.NO.: |
| △ | | | Unit | 1/1000mm | 8N33-17A |
| △ | | | Scale | 5:1 | Parts No.: |
| △ | | | Date | | |
| △ | | | Drawn | | |
| Mark | Date | Description | Appr. | Checked | Name: |
| | | Alterations | | Approved | Indications for Dial |
| Material | | | | | Drawing No.: 8N33D0AS |
| Heat Treatment | | | | General Tolerances | MIYOTA |
| Hardness | | | | Dimensions | |
| Plating | | | | Angles | |
| | | | | | CITIZEN WATCH CO., LTD. TOKYO, JAPAN |

2008/11/14 (11:30:42)

This drawing is provisional and subject to our reconfirmation and/or revision without notice.



| | | | | | |
|----------------|------|-------------|--------------------|---|-----------------------|
| △5 | | | Quantity | | Cal.NO.: |
| △4 | | | Unit | 1/1000mm | |
| △3 | | | Scale | 15:1 | Parts No.: |
| △2 | | | Date | | 065-212 |
| △1 | | | Drawn | | |
| Mark | Date | Description | Appr. | Checked | Name: |
| | | Alterations | Approved | N. Suzuki | SETTING STEM |
| Material | | | | | Drawing No.: 2120S001 |
| Heat Treatment | | | General Tolerances | MIYOTA CITIZEN WATCH CO., LTD. TOKYO, JAPAN | |
| Hardness | | | Dimensions | | |
| Plating | | | Angles | | |